



INSTA-CHAIN™
The AUTOMATIC ICECHAIN

VSI - 006
FL Tufftrac / Volvo T-Ride

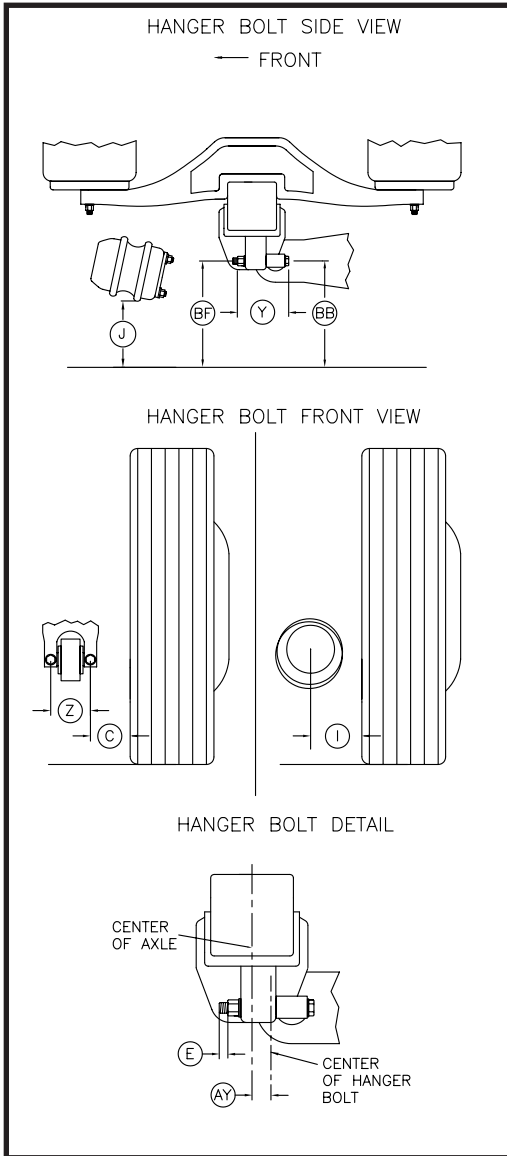
995 S 1950 W Ste. B, Springville, UT 84663 - 800-633-0699 - 801-489-9000 - (fax) 801-489-9797 - www.insta-chain.com - traction@insta-chain.com

COPY AND FAX THIS FORM TO PLACE YOUR ORDER AT - (801) 489-9797

VEHICLE SUSPENSION INFORMATION FORM (VSI)

DEALER: _____ PLEASE DESCRIBE ANYTHING UNUSUAL ABOUT
 DLR. CONTACT: _____ YOUR SUSPENSION: (I.E. ANY OBSTRUCTION
 CUSTOMER: _____ WITHIN 30 INCHES OF THE AXLE.)
 CUST. CONTACT: _____
 ADDRESS: _____
 CITY/ STATE/ ZIP: _____
 PHONE: _____ FAX: _____
 EMAIL: _____ 6 CHAIN / 12 CHAIN P.O.# _____

PLEASE FILL OUT ALL INFORMATION ON FORM COMPLETELY OR WE MAY BE CALLING YOU TO GET IT DIRECTLY



Model: _____ Year: _____ Tire Size: _____

Susp. Make: _____ Susp. Model: _____

_____ BF - Vertical distance from center of Hanger Bolt to ground - towards FRONT of Vehicle

_____ BB - Vertical distance from center of Hanger Bolt to ground - towards REAR of Vehicle

_____ Y - Horizontal distance between Hanger Bolt head and Nut

_____ Z - Horizontal distance between centers of Hanger Bolt heads

_____ C - Horizontal distance between centers of Hanger Bolt closest to tire and bulge of tire

_____ E - Remaining thread behind Hanger Bolt Nut

YES / NO Is the center of the Hanger Bolt in line with the center of the axle?

_____ J - Lowest part of the Air Brake Can Assembly to the ground

_____ I - Sidewall of tire to the center of Brake Can

_____ Shocks Behind Axle?

Brakes IN FRONT / BEHIND Axle?

Measurements from FRONT or REAR Axle?