



INSTA-CHAIN™
The AUTOMATIC ICECHAIN

VSI-007 Kenworth 8 Bag

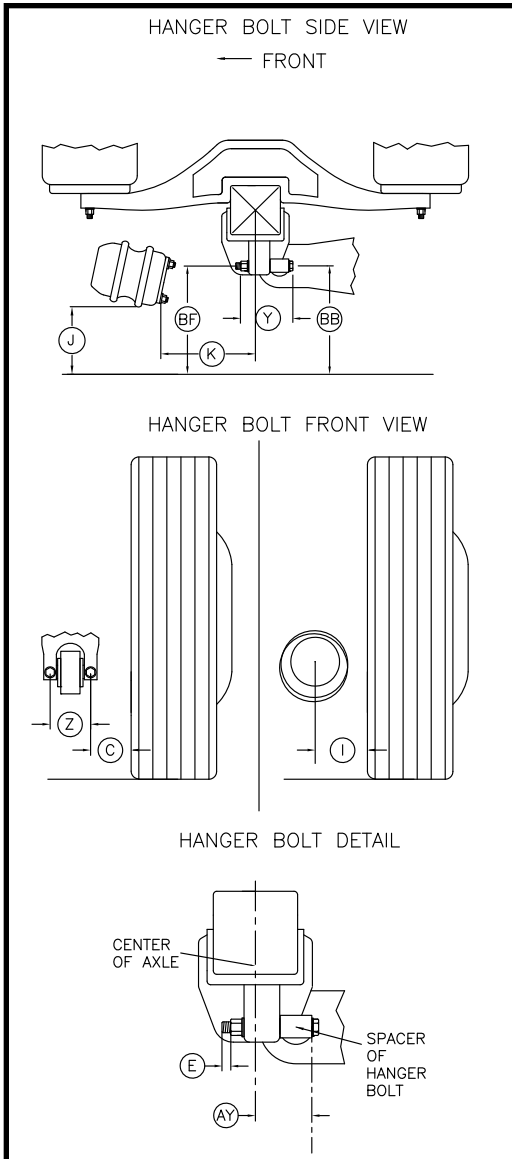
995 S 1950 W Ste. B, Springville, UT 84663 - 800-633-0699 - 801-489-9000 - (fax) 801-489-9797 - www.insta-chain.com - traction@insta-chain.com

COPY AND FAX THIS FORM TO PLACE YOUR ORDER AT - (801) 489-9797

VEHICLE SUSPENSION INFORMATION FORM (VSI)

DEALER: _____ PLEASE DESCRIBE ANYTHING UNUSUAL ABOUT
 DLR. CONTACT: _____ YOUR SUSPENSION: (I.E. ANY OBSTRUCTION
 CUSTOMER: _____ WITHIN 30 INCHES OF THE AXLE.)
 CUST. CONTACT: _____
 ADDRESS: _____
 CITY/ STATE/ ZIP: _____
 PHONE: _____ FAX: _____
 EMAIL: _____ 6 CHAIN / 12 CHAIN P.O.# _____

PLEASE FILL OUT ALL INFORMATION ON FORM COMPLETELY OR WE MAY BE CALLING YOU TO GET IT DIRECTLY



Model: _____ Year: _____

Tire Size: _____ Susp. Model: _____

- _____ BF - Vertical distance from center of Hanger Bolt to ground - towards FRONT of Vehicle
 - _____ BB - Vertical distance from center of Hanger Bolt to ground - towards REAR of Vehicle
 - _____ C - Horizontal distance between centers of Hanger Bolt closest to tire and bulge of tire
 - _____ E - Remaining thread behind Hanger Bolt Nut
 - _____ AY - Center of axle to head of bolt at end of spacer - Is this In Front or Behind Axle?
 - _____ Y - Horizontal distance between Hanger Bolt head and Nut
 - _____ Z - Horizontal distance between centers of Hanger Bolt heads
 - _____ I - Sidewall of tire to the center of Brake Can
 - _____ J - Lowest part of the Air Brake Can Assembly to the ground
 - _____ K - Sidewall of tire to the nearest point of the Brake Can assembly
- Measurements from FRONT or REAR Axle?