



INSTA-CHAIN™
The AUTOMATIC ICECHAIN

**VSI-019 – Neway Susp
Measurements**

995 S 1950 W Ste. B, Springville, UT 84663 - 800-633-0699 - 801-489-9000 - (fax) 801-489-9797 - www.insta-chain.com - traction@insta-chain.com

COPY AND FAX THIS FORM TO PLACE YOUR ORDER AT - (801) 489-9797

VEHICLE SUSPENSION INFORMATION FORM (VSI)

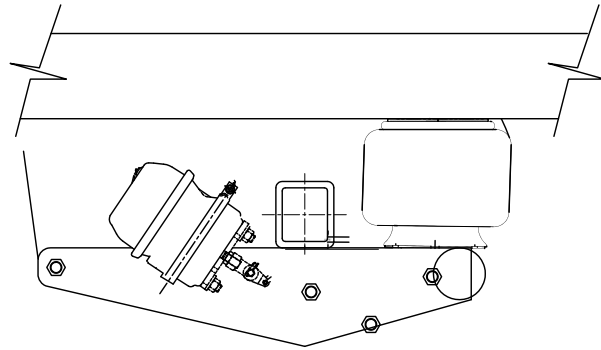
DEALER: _____ DLR. CONTACT: _____
 CUSTOMER: _____ CUST. CONTACT: _____
 ADDRESS: _____ EMAIL: _____
 CITY/ STATE/ ZIP: _____ FAX: _____
 PHONE: _____ 6 CHAIN / 12 CHAIN P.O.# _____

PLEASE FILL OUT ALL INFORMATION ON FORM COMPLETELY OR WE MAY BE CALLING YOU TO GET IT DIRECTLY

**Please identify the beam on
your suspension.**

SIDEVIEW

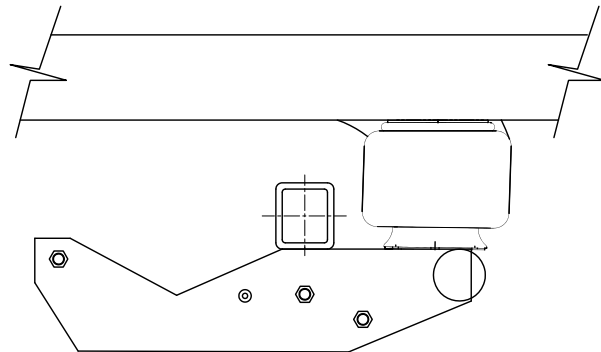
FRONT



REAR

SIDEVIEW

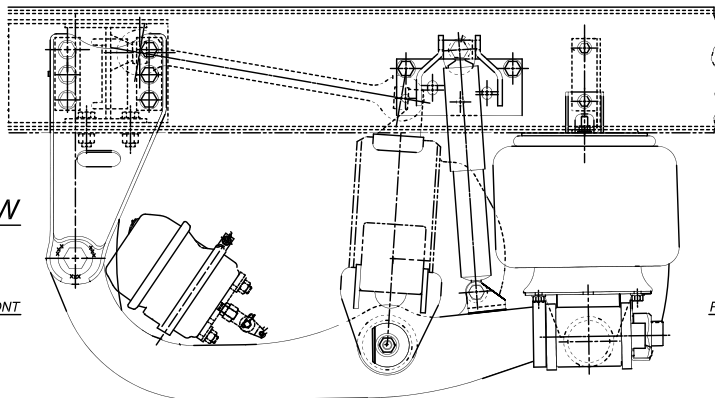
FRONT



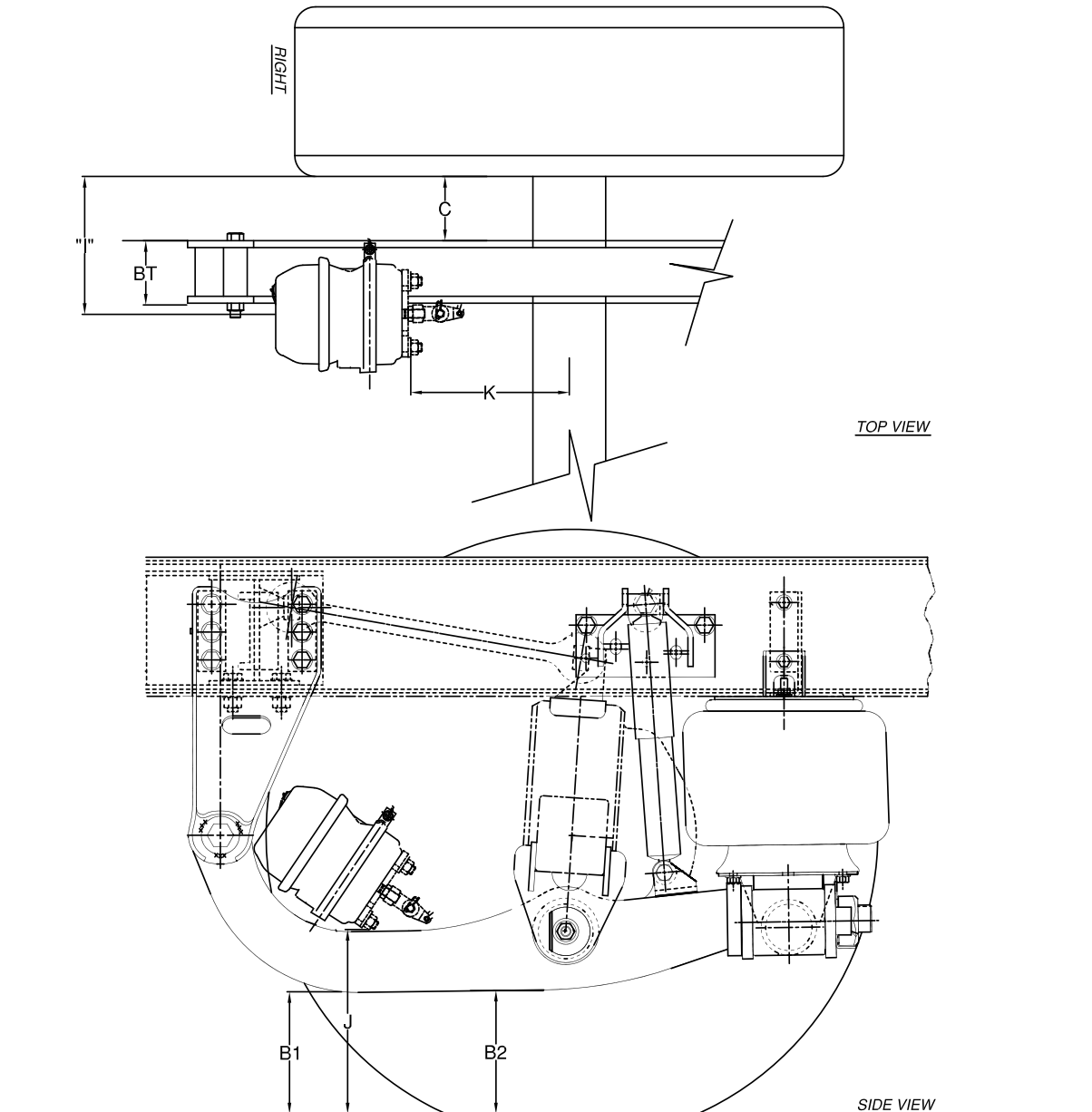
REAR

SIDEVIEW

FRONT



REAR



B1 - Front of beam to ground - _____

B2 - Beam to ground under axle - _____

BT - Width of Beam - _____

C - Side wall of tire to the outside of Beam - _____

I - Side wall of tire to center of Brake Can - _____

J - Ground to lowest point of Brake Can - _____

K - Centerline of axle to nearest point of Brake Can _____